

Contamination indicator

with analog signal output

PIS 3110, PIS 3120

1. Description

Filterelements have only an economical benefit if the maximum dirt holding capacity is achieved. This will be ensured by the use of filter housings with contamination indicators. In order to carry out an organized maintenance, a prior warning is required. This will be facilitated by MAHLE-contamination indicators with analog signal output. These indicators supply a norm signal (4-20 mA) which can be processed directly with a computer or a stored program system (SPS). Because of that, the actual operating status is continuously apparent and can be collected and controlled.

2. Specification

- Nominal pressure PIS 3110 : 450 bar
PIS 3120 : 10 bar
- Temperature range : -10°C to +85°C
- Materials lower section : PIS 3110 1.4301
PIS 3120 Al
- upper section : PA 6
- Material of seals : NBR
- Nominal voltage : 24 V =
- Nominal signal : 4 - 20 mA
- Indication via LED's at the connector :
 - stand-by indication (LED green)
 - 75 % - indicator setting (LED yellow)
 - 100 % - indicator setting (LED red)
- Additional outputs (PNP max. 200mA) :
 - cold start indication
 - 75 % - indicator setting
 - 100 % - indicator setting
- Pulse suppression by time delay
- Signal suppression of indication at temp. < +25°C (cold start)
- Protection class IP 65
- connector according to DIN 43 651

3. Part numbers

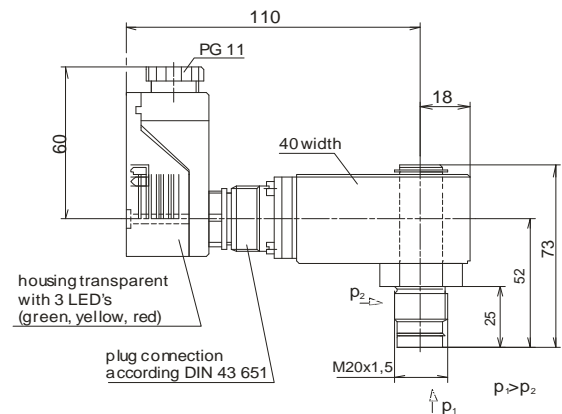
Type PIS 3110 : differential pressure indicator

Type PIS 3120 : pressure indicator

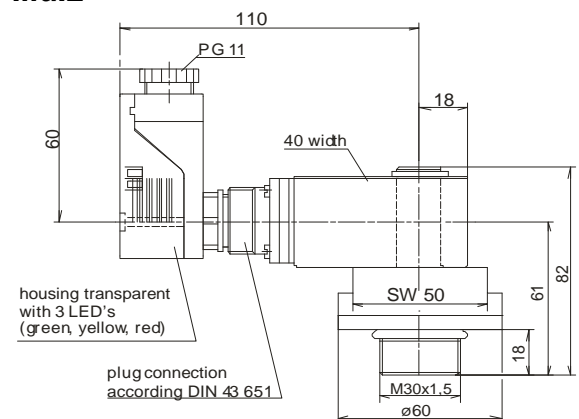
Indicator setting	Illu.	Type	Part number
Δp 2,2 bar	1	PIS 3110/2,2	935.357.4
Δp 5,0 bar	1	PIS 3110/5,0	935.358.2
1,2 bar	2	PIS 3120/1,2	937.552.8
2,2 bar	2	PIS 3120/2,2	937.553.6

subject to technical alterations

Illu. 1



Illu.2



connecting plan

